

SYMA[®]

Inspired Driving



Motorcycle audio

Professional Audio System Designer and Manufacturer **MOBILE AUDIO**

STAND BY YOU



COAXIAL SPEAKER

COMPONENT SET

MIDRANGE

TWEETER

SUBWOOFER

BOOM BOX

AMPLIFIER

DSP



4" WAY COAXIAL SPEAKER

Model Number

CX1440

Size	4"
RMS Power	20W
Peak Power	60W
Frequency Response	140Hz-22kHz
Impedance	4Ω
Sensitivity	86dB/W/m



6" WAY COAXIAL SPEAKER

Model Number

CX1460

Size	6"
RMS Power	25W
Peak Power	75W
Frequency Response	80Hz-22kHz
Impedance	4Ω
Sensitivity	85dB/W/m



5X7" WAY COAXIAL SPEAKER

Model Number

CX1757

Size	5x7"
RMS Power	120W
Peak Power	350W
Frequency Response	75Hz-20kHz
Impedance	4Ω
Sensitivity	87dB/W/m



5X7" WAY COAXIAL SPEAKER

Model Number

CX1746

Size	4x6"
RMS Power	40W
Peak Power	120W
Frequency Response	120Hz-22kHz
Impedance	4Ω
Sensitivity	88dB/W/m



4" 5.25" 6" 6x9"

WAY

COAXIAL
SPEAKER



Model Number	CX1740	CX1755	CX1760	CX1769
Size	4"	5.25"	6"	6x9"
RMS Power	20W	20W	34W	47W
Peak Power	60W	80W	100W	140W
Frequency Response	100Hz-22KHz	90Hz-22KHz	65Hz-22KHz	65Hz-22KHz
Impedance	4Ω	4Ω	4Ω	4Ω
Sensitivity (Distortion level 1%)	85dB/W/M	86dB/W/M	86dB/W/M	88dB/W/M



4" 5.25" 6.5" 6x9"

WAY

COAXIAL SPEAKER



Model Number	CX2540	CX2555	CX2565	CX2569
Size	4"	5.25"	6.5"	6x9"
RMS Power	34W	34W	40W	47W
Peak Power	100W	100W	120W	140W
Frequency Response	105Hz-22KHz	100Hz-22KHz	60Hz-22KHz	55Hz-22KHz
Impedance	4Ω	4Ω	4Ω	4Ω
Sensitivity (Disortion level 1%)	87dB/W/M	87dB/W/M	88dB/W/M	89dB/W/M



4" 5.25" 6.5" 6x9"

WAY

COAXIAL
SPEAKER



Model Number	F4240	F4255	F4265	F4269
Size	4"	5.25"	6.5"	6x9"
RMS Power	15W	34W	25W	30W
Peak Power	60W	60W	100W	120W
Frequency Response	90Hz-20KHz	80Hz-20KHz	65Hz-20KHz	55Hz-20KHz
Impedance	4Ω	4Ω	4Ω	4Ω
Sensitivity (Distortion level 1%)	87dB/W/M	88dB/W/M	89dB/W/M	90dB/W/M



4" 5.25" 6.5" 6x9"

WAY

COAXIAL SPEAKER



Model Number	CX4540	CX4555	CX4565	CX4569
Size	4"	5.25"	6.5"	6x9"
RMS Power	20W	20W	34W	47W
Peak Power	60W	60W	100W	140W
Frequency Response	140Hz-22KHz	120Hz-22KHz	120Hz-22KHz	70Hz-22KHz
Impedance	4Ω	4Ω	4Ω	4Ω
Sensitivity (Distortion level 1%)	86dB/W/M	87dB/W/M	88dB/W/M	90dB/W/M



COMPONENT SET 6.5" ULTIMATE TECHNOLOGY

Model Number

TX103

Size	6.5"
RMS Power	34W
Peak Power	100W
Frequency Response	100Hz-22kHz
Impedance	4Ω
Sensitivity (Distortion level 1%)	88±2dB



COMPONENT

SET

6.5"



ULTIMATE TECHNOLOGY

Model Number

TX107A

Size	6.5"
RMS Power	40W
Peak Power	120W
Frequency Response	90Hz-22kHz
Impedance	4Ω
Sensitivity (Distortion level 1%)	88±2dB



COMPONENT SET 6.5" ULTIMATE TECHNOLOGY



Model Number

TX4565

Size	6.5"
RMS Power	80W
Peak Power	240W
Frequency Response	80Hz-22kHz
Impedance	4Ω
Sensitivity (Distortion level 1%)	88±2dB



SET
6.5"

ULTIMATE TECHNOLOGY

Model Number

TX206

Size

6.5"

RMS Power

60W

Peak Power

240W

Frequency Response

65Hz-25kHz

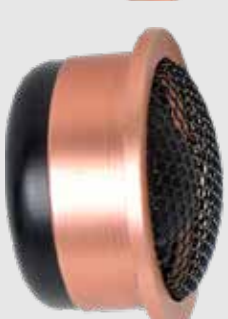
Impedance

4Ω

Sensitivity (Disortion level 1%)

88dB/w/m





COMPONENT

SET

6.5"

ULTIMATE TECHNOLOGY

Model Number

TX306

Size	6.5"
RMS Power	120W
Peak Power	360W
Frequency Response	65Hz-25000Hz
Impedance	4Ω
Sensitivity (Distortion level 1%)	88±2dB



3.25" INCH RANGE MIDRANGE

Model Number

M8202

Size	3.25"
RMS Power	10W
Peak Power	30W
Impedance	4Ω
Sensitivity	84dB/W/m
Dimensions (L x W x H)	Ø60xØ24x9mm (3.77oz)



Ø68.5MM PAPER CONE WITH CLOTH EDGE

Model Number

M7002

Size	Ø68.5mm Paper cone with cloth edge
RMS Power	30W
Peak Power	90W
Frequency Response	600Hz-12000Hz
Impedance	4Ω±5db
Sensitivity	82dB/W/m±2db



Ø75MM CARBON FIBER CONE WITH RUBBER EDGE

Model Number

M7706

Size	Ø75mm carbon fiber cone with rubber edge
RMS Power	30W
Peak Power	90W
Frequency Response	180Hz-25000Hz
Impedance	4Ω
Sensitivity	84dB/W/m±2db



T5000B



TR6000C



TR7225



Ø38MM SILK DOME TWEETER

Model Number	TR7225	TR6000C	T5000B
Size	Ø38	Ø38	Ø38
RMS Power	30W	25W	25W
Peak Power	60W	75W	75W
Frequency Response	1000Hz-25KHz	3000Hz-22KHz	3000Hz-22KHz
Impedance	4Ω	4Ω	4Ω
Sensitivity (Disortion level 1%)	90dB/W/M	90dB/W/M	91dB/W/M



SUPER SLIM 8" ACTIVE SUBWOOFER

Model Number

SL3408

Size	8"
RMS Power	120W
Peak Power	360W
Frequency Response	30Hz-120Hz
Impedance	4Ω
Sensitivity (Distortion level 1%)	98dB/w/m
Dimensions (L x W x H)	340x 230 x 70

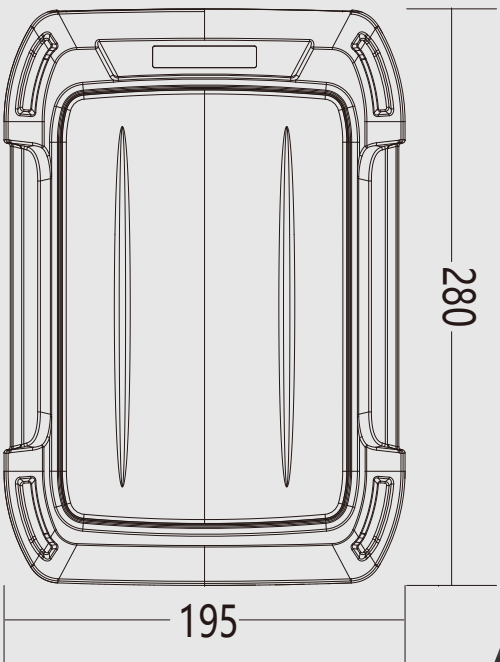


SUPER SLIM 9" ACTIVE SUBWOOFER

Model Number

SL2009

Size	9"
RMS Power	120W
Peak Power	260W
Frequency Response	30Hz-160Hz
Impedance	2Ωx4
Sensitivity (Distortion level 1%)	RCA input 82mV
Dimensions (L x W x H)	330x 230 x 76

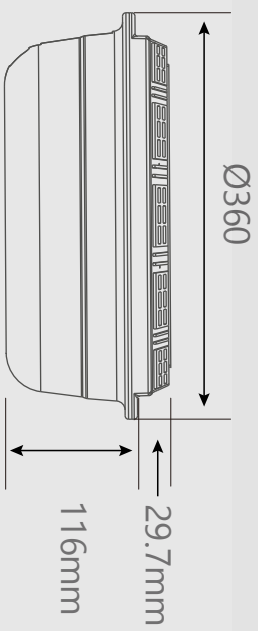


SUPER SLIM 6x8" ACTIVE SUBWOOFER

Model Number

SL2268

Size	6x8"
RMS Power	110W
Peak Power	330W
Frequency Response	30Hz-160Hz
Impedance	2Ω
Sensitivity (Distortion level 1%)	RCA input 82mV
Dimensions (L x W x H)	279x 195 x 68



SUPER SLIM 11" ACTIVE SUBWOOFER



Model Number

CR1000

CR1100

Size	11"	11"
RMS Power	400W	400W
Peak Power	1000W	1000W
Frequency Response	20Hz-150Hz	20Hz-150Hz
Impedance	2Ω	2Ω
Dimensions (Ø x H)	360 x 144.5h	360 x 144.5h

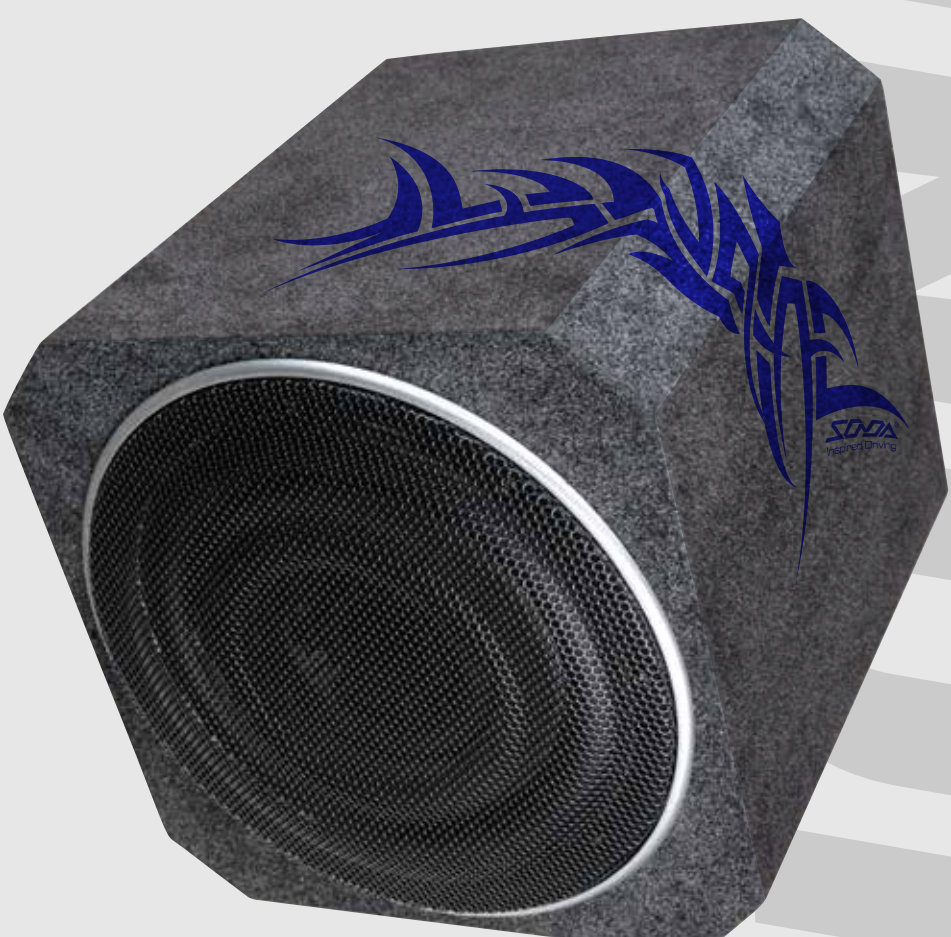


BOOM BOX

Model Number

VT-SR2210

Size	2" (50mm) Boom Box
RMS Power	100W
Peak Power	400W
Frequency Response	40Hz-300Hz
Impedance	8/2Ω
Sensitivity (Distortion level 1%)	115±2dB/1W at 1m
Dimensions (Ø x H)	482x344x366



BOOM BOX

Model Number

AHW8-P1

Size	8" Subwoofer With 619g(22Oz) Magnet
RMS Power	76W@4.0ohm
Max.SPL	105±2dB/76W at 1m
Frequency Response	52Hz-2000Hz
Impedance	4Ω
Sensitivity (Disortion level 1%)	87±2dB/1W at 1m
Dimensions (Ø x H)	246x246x287



BOOM BOX

Model Number

ATM-10

Size	6.5" Inside Woofer+ 10" Passive Woofer
RMS Power	80W
Peak Power	320W
Frequency Response	36Hz-20Hz
Impedance	4 Ω
Sensitivity (Distortion level 1%)	80±2dB/1W at 1m



2CH AMPLIFIER

Model Number

BX864

两声道功率放大器	2ch amplifier
实际功率 80Wx4	RMS Power: 80Wx4
最大功率 (4Ω) 960W	MAX Power (4Ω): 960W
最大功率 (2Ω) 1400W	MAX Power (2Ω): 1400W
频响范围 20Hz-20KHz	Frequency Response: 20Hz-20kHz
低音增益 0dB-12dB	Gain for bass: 0dB-12dB



BX668

AMPLIFIER WITH DSP

Model Number

BX668

功放类别	AB类
电压范围	10V-15V
输出功率	65W×4
频率响应	20Hz-20kHz
信噪比	90db
工作最大电流	3.8A+20A
尺寸	170x113x45mm





AMP LIFIER WITH DSP

BX607A

Model Number

BX607A

功放类别	AB类
电压范围	10V-15V
输出功率	65Wx4
频率响应	20Hz-20kHz
信噪比	105db
工作最大电流	3.8A+20A
尺寸	170x113x45mm





BX606 AMPLIFIER WITH DSP

Model Number

BX606

功放类别	AB类
电压范围	10V-15V
输出功率	65Wx4
频率响应	20Hz-20kHz
信噪比	105db
工作最大电流	3.8A+20A
尺寸	170x113x45mm

